

Springfield  
Leader  
9-7-95

**When weather worsens**  
Dry weather conditions lead to fire ban in county park and plan of conserving water, Page B1.

**Sing out**  
Entertainer Marty DeRose looks to expand his audience, Page B3.



**Who will decide?**  
The voters must settle the fate of the Regional High School District. See editorial, Page 6.

# Springfield Leader

"Your Best Source For Community Information"

A WORRALL COMMUNITY NEWSPAPER

SPRINGFIELD, N.J., VOL.66 NO.48—THURSDAY, SEPTEMBER 7, 1995

TWO SECTIONS — 50 CENTS

## Community Update

### A clean sweep

The Clean Communities Weekend has been scheduled for the weekend of Sept. 30. Individuals and organizations may volunteer for the cleanup effort, which involves ridding parks, playgrounds and streets of trash. The township will supply gloves, trash bags, tools and refreshments, and everyone who lends a hand will receive a free souvenir T-shirt. For more information, or to sign up, call Recycling Coordinator Molly Adams at 913-2222.

### Meet the principal

Parents and students of the Union County Regional High School District are invited to meet Charles Savan, the new principal of Jonathan Dayton Regional High School. A reception will be held Sept. 14 at 7 p.m. in the library of Dayton. For more information, call 376-6300, Ext. 300.

### Working at the car wash

Springfield's Boy Scouts will hold a car wash on Saturday from 9:30 a.m. to 12:30 p.m. at the First Aid Squad headquarters. The cost of a wash is \$4, which will be spent to refurbish the township's teen center at Chisholm School.

### USY events

Springfield USY, which meets at Temple Beth Ahm, has scheduled a car wash for Sunday from 9 a.m. to noon; the cost of a wash is \$6. The group also has many daytrips and cultural activities planned for later this year. Anyone interested in participating or joining USY may call Barry Schwartz at 376-0530.

### Back to normal

The Public Library has resumed regular operating hours. The library will be open from 10 a.m. to 9 p.m. on Mondays, Wednesdays and Thursdays, and from 10 a.m. to 5 p.m. on Tuesdays, Fridays and Saturdays.

### Meeting scheduled

The Recreation Department's meeting scheduled for Sept. 10 has been rescheduled for Sept. 18 at 8 p.m. The meeting will be held at Sarah Bailey Civic Center on Church Mall.

### Mended Hearts to meet

The first meeting of the new season of the Mended Hearts Chapter of the Mended Hearts will be held Sept. 19 at 8 p.m. in the First Aid Squad headquarters.

The guest speaker will be South Ambury General Hospital Pharmacist Hubert Mason. This meeting is open to the public. For more information, call 376-0581.

### Rummage sale plans

The Evening Group of the First Presbyterian Church will meet Sept. 20 at 7:30 p.m. in the parish house on Church Mall to make final plans for the rummage sale scheduled for October.

Donations of clean, useable items may be delivered to the parish house on weekdays between 9 a.m. and noon, and between 1 p.m. and 4 p.m.

## Halpin says he'll retire later this month

County clerk says 38 years in government is enough; opening to be contested in November

By Mark Crudele  
Staff Writer

It took him a bit of time, but Union County Clerk Walter C. Halpin eventually came up with his 10th and final reason for informing Gov. Christine Whitman on Tuesday afternoon that he plans to retire, effective Sept. 16. "I've already thought of nine," said Halpin as he began explaining why he is retiring after 38 years in county government. He explained:

- "I'm 70 years old and climbing."
- "I'm receiving Social Security and Medicare."
- "I've been employed for 50 years and that's enough."
- "My arthritis is coming on like gangbusters."
- "I have a 5-year-old grandchild I want to get to know."
- "I want to visit Civil War sites."
- "The Court-Take-Over Law implemented this year."



Walter C. Halpin  
The luckiest guy

"There are no more challenges to driving in my neighborhood now that this office is 100 percent computerized, and

• All of my old colleagues in gov-

ernment are old or have passed on."

Halpin, an institution at the Clerk's Office, has garnered the respect of his peers. Many of them were surprised to learn of his retirement.

"He's done an outstanding job and is very well respected," said County Manager Ann M. Baran. "He will be

missed. I wish him the best of luck in retirement."

A World War II veteran, Halpin started in the Clerk's Office in January 1958 making a salary of \$48 a week. With three kids, it looked as though he would have to struggle to get by.

"But look what's happened to me," he said. "I was in the right place at the right time. I'm like Lou Gehrig — I feel like the luckiest guy on the face of the Earth."

He's most proud of how he joined all 21 county clerks in the state together to sue the Republican presidential candidates in 1987.

"We sued them because they took up the whole ballot for the delegates they were going to send to the Republican National Convention," said Halpin. "We saved \$4 million across the state, and between \$300,000 and \$400,000 in Union County."

Halpin said the suit also saved the state from a big headache. "It would have required every county to go out to Pennsylvania, Maryland and other states to get more voting machines. They wouldn't listen to my plea for two years, so we hauled them all

into court and sued them," he said. Halpin is also pleased to have had the honor of swearing in 18,000 new citizens from 1967-88, and for computerizing the tallies on election night. "It used to take three days to get those results," he beamed.

The outgoing clerk said that he represented the citizens of the county clerk until the election. Regardless of what she does, voters will pick Halpin's successor in November, and that person will serve the full five-year term.

But for Halpin, those concerns don't matter much anymore. "I owe the citizens of Union County a debt of gratitude for electing me six times. They're the ones who allowed me to serve the citizens the best way I know how."

**"I kept politics 100 percent out of my office, even in my hiring practices. I think that people appreciated that."**

— Walter C. Halpin  
Union County clerk

## PBA president loses one year of seniority

During its last meeting, the Township Committee announced the sentence imposed on the police officer recently found guilty of being absent without leave.

Patrolman Mitch Fenton, who also is the president of the local Policemen's Benevolent Association, lost one seniority year and was suspended for three days without pay.

In deciding the punishment, the governing body was divided as it was when it found Fenton guilty on July 25. Township Committee members Roy Hirschfeld and JoAnn Holmes opposed both the verdict and the sentence. Mayor Marcia Forman, Deputy Mayor Herbert Slatc and Township Committee member Gregory Clarke voted for both.

Fenton was found guilty of failing to report on April 23 for duty. He'd been given leave that day and the two preceding days in order to attend a PBA convention in Atlantic City with two other officers.

According to the testimony of Chief of Police William Chisholm during Fenton's disciplinary hearing before the Township Committee on July 25, the Police Department has no written rules or regulations covering the charges against Fenton, and that similar matters were handled verbally.

Fenton's absence was brought to the attention of the department's administrator by Fenton upon his return to duty on April 24.

Since being brought up on these charges, the PBA president has said he thinks the disciplinary action came in retaliation for his union-related activities.

On April 24, Patrolman Walter Brooks testified before the Township Committee in another hearing. Accompanied by an attorney retained by the PBA, Brooks told the governing body that a superior officer had made racist remarks to others in police headquarters. Brooks is the only black officer in the department.

## Help at the Hall



Springfield's Judith Lindeman accepts the thanks of Cornell Hall Nursing and Rehabilitation Center Administrator Mary Jane Eicko and the Rev. Lill Lindeman for her services as a volunteer. Cornell Hall, located in Union, is a nursing and rehabilitation center and is an affiliate of the St. Barnabas Health Care System.

## A tip of the scales

### New member ends stalemate

By Mark Crudele  
Staff Writer

He's only been on the Union County Regional High School District Board of Education for a month, but his opinion has already shifted the board's official position on dissolution.

When Berkeley Heights representative Alok Chakrabarti entered a board that was split 4-4 on the issue of whether the public should be allowed to vote on the breakup of the district, he knew his would be the swing vote.

Chakrabarti said that he didn't want to make the decision immediately, and instead wanted to analyze the situation. He told board members he would announce his opinion when he was ready.

At the Aug. 29 board meeting, he was ready. Stating that "the question of de-regionalization has become one of political control," Chakrabarti said he wants to "defer to my fellow voters" to decide "this very important political question."

The announcement marks a dramatic departure from the board's longstanding position of supporting the district. But for four local towns, it is just another step in the process to let the public decide if the district should

be dissolved, and if control of the high schools should go to their local school districts.

Towns like Berkeley Heights had been looking at de-regionalization since 1989. But after David Trearley, Regional High School in Kenilworth was closed by the board for "cost containment" reasons in November 1992, the piece was accelerated.

Legislation was passed to allow the sending towns to pull out of the district, and four of the six towns and local boards of education from those towns decided it was a good idea to explore.

The local boards in those towns and the regional hired consultants to study the feasibility of de-regionalizing. Those studies were analyzed by Union County Superintendent Leonard Pitts, who decided that the current proposal for dissolution is "not advisable." However, he also said the regional is "not a financially efficient district."

The four local towns pushed ahead, petitioning the state for hearings by a four-member Board of Review, which Education Commissioner Leo Klagholz is part of.

That Board of Review, originally scheduled to be held during the summer, has been held up by in-house dis-

putes over who makes official board policy regarding dissolution.

Since October 1993, legal matters about the de-regionalization of the district were handled by a three-member ad hoc committee. Four board members protested that, saying the decisions should be made by the full board.

Commissioner Klagholz agreed, opening the door for Chakrabarti's announcement that he would like to see a public vote on the matter. Now five board members, none of which were on the board when Trearley was closed, share that position.

However, board members who are on the other side of the issue believe the regional board will continue to function, regardless of the split.

"This board will continue to work together," said board President Joan Tobin. "There is no animosity. We were just trying to come to some kind of decision we could live with."

Everyone on this board is looking to provide the best education we can," added Springfield representative Theresa LaCusa.

But on the issue of dissolution, one thing everyone can agree on is that after Chakrabarti's decision, things on the regional board will never be the same.

INSIDE THE Springfield Leader table with categories like Lifestyles, Editorials, Letters, etc.

How to reach us: Our offices are located at 1291 Shrewsbury Avenue, Union, N.J. 07083.

Voice Mail: Our main phone number, 908-666-7700 is equipped with a voice mail system to better serve our customers.

To subscribe: The Leader is mailed to the homes of subscribers for delivery every Thursday.

News items: News releases of general interest must be in our office by Friday at noon to be considered for publication the following week.

Letters-to-the-editor: The Leader provides an open forum for opinions and welcomes letters to the editor.

To place a display ad: Display advertising for placement in the general news section of the Leader must be in our office by Monday at 5 p.m.

To place a classified ad: The Leader has a large, well-read classified advertising section.

To place a public notice: Public notices are notices which are required by state law to be printed in local weekly or daily newspapers.

Facsimile Transmission: The Leader is equipped to accept your ads, notices, etc. by FAX.

Postmaster Please Note: The SPRINGFIELD LEADER (ISSN 512-720) is published weekly by Worral News Community Newspapers, Inc.

news clips

Football registration: The Springfield Recreation Department announced it will be holding a football registration tomorrow at 6 p.m.

Artists wanted: The Donald B. Palmer Museum of the Springfield Free Public Library is accepting applications for artists who wish to exhibit their work during 1996.

Indoor volleyball to start: The Springfield Recreation Department announced indoor volleyball will begin Tuesday from 7:30-10:30 p.m. in the gym at the Sandhiser School.

Hadassah to meet: The Springfield chapter of Hadassah will hold its first meeting of the year on Sept. 21 at 8 p.m. at Temple Beth Ahim.

Programs scheduled: The young adult department of the Public Library will present two programs for college-bound high school seniors.

Attention social clubs: This newspaper encourages organizations, temples, societies and civic organizations to inform the editor about scheduled events and activities.

Both sessions will include a question-answer period. Registration is requested and may be done either in person or by calling 376-4930 during library hours.

Applicants are asked to submit a current resume, 10 slides representative of their work and a stamped self-addressed envelope.

Since 1992, the museum has presented the exhibit of art and historical works and for the presentation of cultural programs.

During the past year, the museum has exhibited the works of many local and regional artists. Exhibits have included photography, sculpture, ceramics, handmade paper and prints.

The newspaper encourages organizations, temples, societies and civic organizations to inform the editor about scheduled events and activities.

Some summer fun



Avi Moskowitz and Emily DeGuidone take part in Paul Tybuski's 'Math + Science + Computers + Fun' program as part of the Board of Education's summer school.

Firefighters to hold golf touney fundraiser

The Springfield Fire Department's Fireman's Mutual Benevolent Association Local No. 57 is sponsoring a fundraiser golf tournament on Nov. 13 at the Baltusore Country Club's lower course.

In addition, all golfers will receive a tournament golf shirt, driving and putting green privileges, a buffet lunch, the use of a golf cart or caddy, invitation to the locker-bar and a post-tournament cocktail reception.

Civic calendar

- Sept. 11 - The Springfield Township Committee will meet in executive session at 7:30 p.m. on the second floor of the Municipal Building at 100 Mountain Ave.
Sept. 12 - The Springfield Township Committee will meet at 7:30 p.m. on the second floor of the Municipal Building at 100 Mountain Ave.
Sept. 13 - The Union County Planning Board will meet at 7 p.m. in the Administration Building at Elizabethtown Plaza in Elizabethtown.
Sept. 19 - The Springfield Board of Adjustment will meet at 7 p.m. on the second floor of the Municipal Building at 100 Mountain Ave.
Sept. 20 - The Springfield Development Review Commission will meet at 7 p.m. on the second floor of the Municipal Building at 100 Mountain Ave.
Sept. 21 - The Union County Board of Health Advisory Board will meet at 6:30 p.m. at the Administration Building at Elizabethtown Plaza in Elizabethtown.
Sept. 26 - The Springfield Township Committee will meet at 7:30 p.m. on the second floor of the Municipal Building at 100 Mountain Ave.
Sept. 27 - The Union County Board of Health Advisory Board will meet at 6:30 p.m. at the Administration Building at Elizabethtown Plaza in Elizabethtown.
Sept. 27 - The Union County Board of Health Advisory Board will meet at 7:30 p.m. in the Administration Building at Elizabethtown Plaza in Elizabethtown.
Sept. 27 - The Union County Board of Health Advisory Board will meet at 8 p.m. in the Administration Building at Elizabethtown Plaza in Elizabethtown.

Veterans recall service in war's Pacific Theater

By Cynthia B. Gordon Staff Writer
On Saturday the anniversary of the official end of World War II passed. While this celebration of V-J Day was the last of the 50th anniversary observances of wartime events, several Mountaineers residents remember their roles in the war.

Cycling safety



Mountaineers police Sgt. Scott Worswick inspects A.J. DeRose's bicycle, checking for safety features, during the Bike Rodeo held for Deerfield School students.

AAA to open new office in Echo Plaza Center

The AAA New Jersey Automobile Club will celebrate the grand opening of its newly relocated Springfield office on Tuesday. Located in the Echo Plaza Shopping Center, at the intersection of Mountain Avenue and Route 22, AAA's Springfield office will mark the occasion with a ribbon cutting ceremony at 11:30 a.m.

Stuyvesant Haircutting advertisement: Quality Hair Cuts at Affordable Prices. SENIOR CITIZEN SPECIAL. 20% OFF. OPEN MON. thru SAT. 1654 STUYVESANT AVE., UNION.

LeeMyles Transmissions advertisement: Free Diagnostic Check. \$49.95 Transmission Service. All Labor & Adjustments. New Filter, New Fluid, Pan Gasket. (908) 522-1484 - 198 Broad St. - Summit.

The Mattress Factory advertisement: Labor Day Clearance. MATTRESSES & BOXSPRINGS MADE ON THE PREMISES. Open To The Public. THE ULTIMATE SLEEP SYSTEM.

Garwood Factory Direct advertisement: Factory Direct Open To The Public. GARWOOD. 516 North Avenue. Factory Showroom. (908) 789-0140.

Why Pay More for ANDERSEN Bay & Bow Windows advertisement: Windowzards, The Right Windows at the Right Price! Use Coupon for Listed Bays & Bows or choose from more than 9000 available sizes.

Why Pay More, when you can save more advertisement: Why Pay More, when you can save more. WEATHER-RESISTANT WINDOWS INSULATED. \$139 PER WINDOW.

Thermo-Vu Roof Windows advertisement: Your Expert Source for ALL Andersen Windows, Doors & Accessories. Quality Skylights & Roof Windows. Thermo-Vu Roof Windows.

Windowzards advertisement: Talk to a Window & Door Professional At Any of Our Locations. Union, NJ Showroom. 2575 Rt. 22 West. (908) 810-9333.

SEARCH PET SHOP advertisement: SEARCH PET SHOP. 272-6500. 6080 Broadway, Union, NJ.

SAT I advertisement: SAT I. ACQUAINTS YOU WITH THE STRATEGIES, SUMMER & FALL COURSES, SCOTCH FLAINS SUMMIT. EDUCATIONAL SERVICES CENTER. 1-800-762-8378.

Why Pay More, when you can save more advertisement: Why Pay More, when you can save more. WEATHER-RESISTANT WINDOWS INSULATED. \$139 PER WINDOW.

FUEL OIL SAVINGS advertisement: WE ARE THE LOWEST PRICED FULL SERVICE OIL COMPANY IN THE AREA. \$79.99 PER GALLON.

SIMONE BROS. advertisement: SIMONE BROS. 1405 HARDING AVENUE. LINDEN. 908-862-2726. A Family Business for Over 55 Years.

NEW EXPERTS advertisement: PROCESSING BY Kodak ROYAL COLONIAL CAMERA SHOP. The Village Shopping Center • 1260 Springfield Ave. New Providence • 908-665-0714.

Everybody's Talking About... advertisement: Everybody's Talking About... Inforsource. 24 HOUR VOICE INFORMATION SERVICE. FREE Information By Telephone.

HART SCHAFFNER & MARX advertisement: HART SCHAFFNER & MARX. TRUNK SHOW SAT., SEPT. 9TH. Meet our Hart Schaffner & Marx Representative.

SALE SEPT. 5TH - 10TH SAVE advertisement: SALE SEPT. 5TH - 10TH SAVE. \$100.00 on any Hart Schaffner & Marx Suit. \$75.00 on any Hart Schaffner & Marx Sport Coat. \$50.00 on any Hart Schaffner & Marx Blazer.

Everybody's Talking About... advertisement: Everybody's Talking About... Inforsource. 24 HOUR VOICE INFORMATION SERVICE. FREE Information By Telephone.

HART SCHAFFNER & MARX advertisement: HART SCHAFFNER & MARX. TRUNK SHOW SAT., SEPT. 9TH. Meet our Hart Schaffner & Marx Representative.

SALE SEPT. 5TH - 10TH SAVE advertisement: SALE SEPT. 5TH - 10TH SAVE. \$100.00 on any Hart Schaffner & Marx Suit. \$75.00 on any Hart Schaffner & Marx Sport Coat. \$50.00 on any Hart Schaffner & Marx Blazer.

Adams & Madam advertisement: Adams & Madam. FREE ALTERATIONS. TRADITIONALLY FINE CLOTHING FOR MEN AND WOMEN. 1271-1275 Springfield Avenue, New Providence • (908) 665-0800.



Sharon Lynn Hudak and Mark Alan Miller

**Hudak-Miller wedding set**

Sharon Lynn Hudak of Rutherford, daughter of Mr. and Mrs. Rudolph J. Hudak of Bristol, Conn., and Mark Alan Miller of Rutherford, son of Mrs. Francis "Ray" Miller of Springfield and the late Paul M. Miller, have announced their engagement.

Ms. Hudak graduated from Bristol Central High School, Bristol, Conn., and Parsons School of Design, New York City. She is employed as a graphic designer/computer consultant for Oxford University Press, New York City.

Mr. Miller graduated from Jonathan Dayton Regional High School, Springfield and Kent State University, Ohio. He is a corporate account manager for Enterprise Rent-A-Car in Manhattan.

An October wedding has been set at the Richfield Regency in Verona.

**stork club**

**Kimberly Lisa Blahol**

A 7-year-old 5-year-old daughter, Kimberly Lisa, was born July 26 in St. Barnabas Medical Center to Mr. and Mrs. Jerry Blahol of Bridgewater. She is the daughter of Daniel and Mrs. Blahol, the former Frances Kelly, the daughter of Mr. and Mrs. Frank Kelly of Fairfield. Her husband is the son of Mr. and Mrs. William Blahol of Springfield. Maternal great-grandparents are Anna Wiza of Fairfield and Neke Carlin. Paternal great-grandmother is Rosemary Blahol of Springfield.

**Red Cross plans annual luncheon**

The Westwood chapter of the American Red Cross will hold its annual luncheon and fundraiser at the Westwood in Garwood. The event for the luncheon is \$10 per person. The doors will open at 11:30 a.m. and the luncheon will begin at 12:30 p.m. The next meetings are scheduled for Sept. 19 at 7:30 p.m. in the library of Jonathan Dayton Regional High School in Springfield. The next meetings are scheduled for Oct. 2 at 7:30 p.m. in the library of Arthur L. Johnson Regional High School in Clark.

**Announcement policy**

Couples are encouraged to send their engagement and wedding announcements to the life-size editor. Announcements should be typed, double-spaced on legal-size stationery and not exceed one page. All announcements should be submitted to the editor for publication or if questions arise. Information requested for engagements are parents names, date of wedding, bride and groom names, bride and groom names, town and degree, name of employer and town where engaged, the title and where the couple honeymooned. Information requested for weddings are parents names, date of wedding, wedding location, bride and groom names, town and degree, name of employer and town where engaged, the title and where the couple honeymooned. Black and white or color color pictures are acceptable. Pictures of the couple sitting or standing together are preferred. Pictures of one person standing and pictures of one person alone are not acceptable. If possible, side-by-side is better. For more information, call 686-7776.

**The Westminster Dance Studios**

Classes Offered:  
 • Ballroom  
 • Salsa  
 • Swing  
 • Jazz  
 • Theater Dance  
 • Tap  
 • Ballroom  
 • Flanenco  
 • Step Aerobics  
 Soil Taking Registration for Fall Classes  
 Westminster Dance Theater  
 989 Schuyler Ave.  
 Union Center (908) 686-7676

**Everything Including THE KITCHEN SINK**

Whirlpools, Bath & Kitchen Fixtures & Accessories  
 Visit Our Beautiful Designer Showroom  
**LAWRENCE KANTOR SUPPLY**  
 180 Stewart Road, Orange, NJ (2 block South of Route 280)  
 HOURS: Open Mon. - Fri. 7:30am - 5pm • Sat. 9 - 1 • 201-676-2786

**NOBODY HAS MORE... Champion**

SWEATS, SHORTS, T-SHIRTS, FOOTBALL JERSEYS, BASKETBALL JERSEYS, AND MORE...

of the GUARANTEED LOWEST PRICES!!

Our in-store unadvertised specials are always special.

**FOR 24 YEARS** offering the best selection and savings...everyday!

**BOBBIE'S CASUAL CLOTHES CASUAL PRICES**  
 201-374-7770  
 732 Morris Turnpike, Short Hills  
 Hours: Mon-Sat 10 am to 5:30 pm, Thursdays 11 am - 4 pm

**LARGEST SELECTION, LOWEST PRICES ANYWHERE**

**Witty's Discount Wines & Liquors**  
 870 St. George Ave., Rahway, CVS Shopping Ctr.  
 908-381-6776 • FAX: 908-381-8008

**New Bud 30 Pack \$13.99**

**\$5.00 OFF Bud Light, Coors Extra Gold or Rolling Rock 1/2 Keg**

**\$3.00 OFF Any Coors Reg. or Light 1/2 Keg or Beer Ball**

**Guaranteed Lowest Prices**  
 Bring in any competitor's ad or coupon and we will meet or beat that price subject to ABC Regulations.

**BEER OFF THE FLOOR**

Labatt's \$11.99  
 Old Milwaukee \$6.99  
 Milwaukee's Best \$6.99  
 Pilsner Urquell \$19.99  
 Bud Dog \$11.99  
 Coors Light \$8.99  
 Busch \$8.99  
 St. Pauli Girl \$16.99

Heineken \$17.99  
 Amstel Light \$7.99  
 Genesee \$9.99  
 Coors Extra Gold \$8.99  
 Schmidt's \$6.99  
 Bud Light \$11.99  
 Molson Golden or Ice \$12.99  
 Hager Pschorr \$22.99

O'Douls \$10.49  
 Beck's \$16.99  
 National Bohemian \$6.49  
 Budweiser \$11.99  
 Miller \$10.99  
 Hacker Pschorr \$18.99  
 Ballantine \$9.99

Sam Adams \$18.99  
 Pils, Meister Brau \$6.99  
 Coors or Arctic Ice \$11.99  
 Sharp's or Coors Cutter \$9.99  
 Coors Reg. or Bud Dry \$9.99  
 Lowenbrau or Michelob \$11.99  
 Corona \$17.99  
 Guinness Stout \$25.99

Pepsi 99¢  
 Tropical Freezers \$4.99  
 Snapple or Mistic \$12.99  
 Jack Daniels Country Cocktails \$4.99  
 Southern Comfort Liqueur \$2.99  
 Coke Reg. or Diet \$5.99  
 7-Up Reg. or Diet \$6.99

**LIQUOR & CORDIALS**

Black Velvet \$11.99  
 Martell V.S. \$17.99  
 The Glenlivet \$49.99  
 Bacardis \$13.99  
 Scorsby \$15.99  
 Finlandia \$18.99  
 Old Smuggler \$15.99

Chivas Regal \$18.99  
 Chinchon Aguardiente \$4.99  
 Ron Rico Spiced Rum \$9.99  
 Gordon's Vodka \$10.99  
 DeKuyper \$5.99  
 Marie Brizard \$9.99

Tanqueray \$11.99  
 Bouchard \$7.99  
 Crown Royal \$29.99  
 Glenmorangie \$23.99  
 Carolan's Irish Cream & Coffee \$8.99  
 Leroux Blackberry Brandy \$14.99  
 Popov Vodka \$9.99  
 Majorska Vodka \$9.99

Bacardi Black Rum \$8.99  
 Captain Morgan Spiced Rum \$14.99  
 Sambuca Romana \$14.99  
 Seagram's V.O. \$15.99  
 Seagram's V.O. \$15.99  
 Seagram's V.O. \$15.99

**FINAL WEEK**

**only 3% SALES TAX**

Take An Extra **25% OFF** All Floor Model Air Conditioners

**ANY WASHER OFF \$25**

**ANY DRYER OFF \$25**

**ANY REFRIGERATOR OFF \$25**

**ANY MATTRESS (SET \$200 OR OVER) OFF \$25**

**ANY MICROWAVE OFF \$10**

**ANY DISHWASHER OFF \$25**

**ANY FREEZER 15 FT. OR OVER OFF \$25**

**ANY FREEZER 5 FT. - 12 FT. OFF \$10**

**ANY 13" TO 20" TV OFF \$10**

**ANY 20" TO 25" TV OFF \$15**

**ANY 27" OR OVER TV OFF \$25**

**ANY VCR OFF \$15**

**ANY 20" TO 24" RANGE OFF \$10**

**ANY 30" TO 36" RANGE OFF \$10**

**ANY 30" SELF CLEAN GAS OR ELECTRIC RANGE OFF \$25**

**ANY WALL OVEN OFF \$25**

<b>AIR CONDITIONER</b> \$497 -15 COUPON -72 P.S. REBATE <b>\$410 FINAL NET COST</b>	<b>QUASAR AIR CONDITIONER</b> \$427 -15 COUPON <b>\$412 FINAL COST</b>	<b>WHIRLPOOL AIR CONDITIONER</b> \$329.00 -25% DISCOUNT <b>\$246.75 FINAL NET COST</b>
<b>FRIEDRICH AIR CONDITIONER</b> \$995 -200 DISCOUNT <b>\$795 FINAL NET COST</b>	<b>AIR TEMP AIR CONDITIONER</b> \$497 -25 COUPON <b>\$472 FINAL COST</b>	<b>AIR TEMP AIR CONDITIONER</b> \$349.00 -87.25 25% DISCOUNT -36.00 P.S. REBATE <b>\$225.75 FINAL NET COST</b>
<b>GIBSON AIR CONDITIONER</b> \$597 -25 COUPON -54 P.S. REBATE <b>\$518 FINAL NET COST</b>	<b>AIR TEMP AIR CONDITIONER</b> \$297 -10 COUPON -15 P.S. REBATE <b>\$272 FINAL COST</b>	<b>AIR TEMP AIR CONDITIONER</b> \$497.00 -124.25 25% DISCOUNT <b>\$372.75 FINAL NET COST</b>
<b>AIR TEMP AIR CONDITIONER</b> \$597 -25 COUPON -108 P.S. REBATE <b>\$464 FINAL NET COST</b>	<b>AIR TEMP AIR CONDITIONER</b> \$347 -10 COUPON -36 P.S. REBATE <b>\$301 FINAL COST</b>	<b>SHARP AIR CONDITIONER</b> \$329.00 -82.25 25% DISCOUNT <b>\$246.75 FINAL NET COST</b>

**COUPON ANY 5,000, 6,000 OR 8,000 BTU \$10 OFF AIR CONDITIONER**

**COUPON ANY 10,000 OR 12,000 BTU \$15 OFF AIR CONDITIONER**

**COUPON ANY 14,000 OR 35,000 BTU \$25 OFF AIR CONDITIONER**

**ARE YOU TIRED OF HEARING "Sorry We Don't Have The Sale Item?"**

**THIS WEEK'S SUPER SPECIAL 22 LB. JENN AIR WASHER \$397**

**DEAL FROM**  
 • TOPS • P.C. RICHARDS  
 • THE WIZ  
**AND WE WILL GLADLY BEAT THEIR OFFER ON ANY ITEM THAT WE CARRY!**

**SUPER SPECIAL 27" SONY STEREO TV \$447**

**NO BAIT & SWITCH ALL IN SEALED CRATES 30 AVAILABLE**

**DEAL FROM**  
 • TOPS • P.C. RICHARDS  
 • THE WIZ  
**AND WE WILL GLADLY BEAT THEIR OFFER ON ANY ITEM THAT WE CARRY!**

**JENN AIR IS A DIVISION OF THE MAYTAG COMPANY**

**WE ARE A SONY FACTORY AUTHORIZED DEALER**

**JACOBSON'S DISTRIBUTING COMPANY AN ELIZABETH TRADITION**

**ONLY 3% SALES TAX**

**WHY PAY MORE?**

NOW 2 LOCATIONS TO SERVE YOU BETTER  
**MAIN SHOWROOM 725 RAHWAY AVE. 908-354-8533 ELIZABETH, N.J.**  
**WAREHOUSE OUTLET & CLEARANCE CENTER 700 RAHWAY AVE. (CORNER OF ELMORA AVE) ELIZABETH, N.J.**

APPLIANCES • BEDDING • ELECTRONICS • AUDIO & VIDEO















horoscope September 10-16
ARIES - March 21/April 20
The emphasis of the week will be on business. If you find yourself preoccupied with details of work, make sure you take a step back to see what's going on in your private life. Even though loved ones may be accustomed to your aloofness, it doesn't mean they like it.

Health & Fitness

Food poisoning is no picnic - or barbecue

Ah, summer! The days are long and the weather is warm. The smell of sizzling kabob, roasted corn and poultry salad are in the air. It's the time for backyard barbecues, family picnics and, unfortunately, food poisoning.

Services expand
Neuropsychological and psychological services for children and adolescents have been expanded at Children's Hospital.

Consumer info
Some of the most important information never reaches the people for which it is intended because they are unaware of where to find it.

VITAMIN FACTORY
201 Rt. 22, Hillside, NJ 07205 - (201)926-2946
15% Off CamoCare Products
Fat Free Mini Rice Cakes \$1.29
Licorice Raspberry Chewies \$1.85
Strawberry Cereal Bar \$1.99

LIBRA - Sept 23/Oct 23
Setting unrealistic goals will only lead to disappointment. Remember, you do have to leave some time for yourself in a new circle of friends.

FAST EFFECTIVE PAIN RELIEF
LONG TERM RESULTS
Specializing in...
Wrist/Hand Pain
Headache
Low Back Pain
Work Injury
Auto Accidents

CHIROPRACTIC FOR BETTER HEALTH
DR. DONALD ANTONELLI
YOUR VITAL FORCE
You may not realize, but it is your vital force that is expressed through your nervous system.

It's Fall
DROP IN AND SEE US
Care Station
Immediate, Family & Occupational Medical Center
We're Here When You Need Us!

German Language School
When you want to get serious about the arts...
Westfield School of Dance
Home of the Westfield Dance Company
Fall Registration
CLASS SPACE STILL AVAILABLE

Loria Music
RENT SCHOOL INSTRUMENTS DIRECT! AT LOWER THAN SCHOOL PRICES
WE GIVE YOU THE OPPORTUNITY WITH OUR RENT TO OWN PURCHASE PLAN
PRIVATE MUSIC INSTRUCTION IN SOUND CONTROLLED STUDIOS

Performance slated
Putting the sophisticated music of Cole Porter into a jazz idiom is a natural thing, said Pam Purvis, expanding on the theme for her concert.

Classes set to begin
The Deutsche Sprachschule, a 61-year-old nonprofit German language school in Union, opens Saturday at 8:30 a.m. for registration and classes.

Volunteers sought
The Union County unit of the American Cancer Society is seeking volunteers for its Road to Recovery Program.

German Language School
When you want to get serious about the arts...
Westfield School of Dance
Home of the Westfield Dance Company
Fall Registration
CLASS SPACE STILL AVAILABLE

IMMUNIZATIONS
OPEN EVERYDAY 9am - 10pm INCLUDING WEEKENDS & HOLIDAYS
Convenient Locations • Reasonable Fees
CALL TODAY
908-925-CARE (2273)

BACK TO SCHOOL

GRAND RE-OPENING CELEBRATION SNEAKER MANIA
BIGGER AND BETTER LOCATION
Still In BLUE STAR Shopping Center
BACK TO SCHOOL
Infants And Children
Huge Selection of Sizes and Widths
Expert Fitting And Friendly Service
MENS & WOMENS
ENTER OUR DAILY DRAWING- WIN A FREE PAIR OF KEDS\*

CHERNEY DANCE STUDIO
Our 39th Year FREE OFFER!
Enroll for September Classes by September 9th and receive a FREE PAIR OF NEW DANCE SHOES

LEARN TO PREPARE INCOME TAXES
H&R BLOCK
Your Invited to Attend the H&R BLOCK Income Tax School OPEN HOUSE

FEATHERBED LANE SCHOOL
ESTABLISHED 1953
Celebrating Our 42nd Year
BARRARA A. PAKIA
THOMAS FARIA
Approved by NJ Dept. of Education A Certified Facility and an Educational & Creative Environment

German Language School
When you want to get serious about the arts...
Westfield School of Dance
Home of the Westfield Dance Company
Fall Registration
CLASS SPACE STILL AVAILABLE
Loria Music
RENT SCHOOL INSTRUMENTS DIRECT! AT LOWER THAN SCHOOL PRICES

STILL SINGLE

38 year old, attractive, petite blonde... looking for a single or divorced male...

PACKAGE DEAL

Light skinned female with a great smile... looking for a single or divorced male...

SOMETHING IN COMMON?

30 year old, 5'4", 135 pound black female... looking for a single or divorced male...

WANT AMERICAN MALE

36 year old, single male, 5'10" tall... looking for a single or divorced female...

READY TO DATE AGAIN

Attractive, warm, sensitive female... looking for a single or divorced male...

RE-FRIENDSHIP AND FUN

35 year old female, 5'8", educated... looking for a single or divorced male...

NEVER MARRIED FEMALE

Very pretty, never married, single... looking for a single or divorced male...

WILL YOU SETTLE DOWN

34 year old, single female, 5'6" tall... looking for a single or divorced male...

18' BLONDE

Single, young, professional business woman... looking for a single or divorced male...

LAWFUL ENFORCEMENT

Single light skinned female, age 45... looking for a single or divorced male...

ROMANTIC HEART

I am a single, white female, 5'6" tall... looking for a single or divorced male...

NOTHING SERIOUS

Blonde with blue eyes speaking a single... looking for a single or divorced male...

SERIOUS? CALL ME!

Attractive, divorced female, age 45... looking for a single or divorced male...

ARE YOU INTERESTED?

Attractive, petite, blonde female... looking for a single or divorced male...

MAYBE YOU'RE THE ONE

30 year old, single female, 5'8" tall... looking for a single or divorced male...

FUN LOVING LADY

Attractive, fun loving, single white female... looking for a single or divorced male...

CHRISTIAN LIFE!

Looking for a single or divorced male... looking for a single or divorced male...

FIT MALE WANTED

37 year old, single, black professional female... looking for a single or divorced male...

OLDER WOMAN WANTED

Looking for a single or divorced male... looking for a single or divorced male...

MOTHER OF ONE

31 year old, single, professional black female... looking for a single or divorced male...

CALL ME MEN!

22 year old, single, black female... looking for a single or divorced male...

NEVER MARRIED FEMALE

Fun loving, single female... looking for a single or divorced male...

BUILD A STRONG BOND

34 year old, single, black professional female... looking for a single or divorced male...

BRIGHTEN UP YOUR LIFE!

31 year old, single, white female... looking for a single or divorced male...

SOUND INTERESTING??

19 year old, college student, blonde... looking for a single or divorced male...

WILL YOU SETTLE DOWN

34 year old, single female, 5'6" tall... looking for a single or divorced male...

5'8" BLONDE

Single young professional business woman... looking for a single or divorced male...

LAWFUL ENFORCEMENT

Single light skinned female, age 45... looking for a single or divorced male...

ROMANTIC HEART

I am a single, white female, 5'6" tall... looking for a single or divorced male...

NOTHING SERIOUS

Blonde with blue eyes speaking a single... looking for a single or divorced male...

SERIOUS? CALL ME!

Attractive, divorced female, age 45... looking for a single or divorced male...

ARE YOU INTERESTED?

Attractive, petite, blonde female... looking for a single or divorced male...

Connections WHAT A WAY TO MEET!

Call 1-900-786-2400 (Ext. 188) to register these ads. Touch-tone or collect phones. You must be 18 or older.

Advertisement for Connections magazine featuring a woman's portrait and the headline 'It Could Happen To You!'.

CHURCH AND LITURGICAL: 33 year old, single, white male... looking for a single or divorced female...

CHURCH AND LITURGICAL

33 year old, single, white male... looking for a single or divorced female...

CHURCH AND LITURGICAL

33 year old, single, white male... looking for a single or divorced female...

CHURCH AND LITURGICAL

33 year old, single, white male... looking for a single or divorced female...

CHURCH AND LITURGICAL

33 year old, single, white male... looking for a single or divorced female...

WORRALL Classified

INDEX 1-HELP WANTED 2-ANNOUNCEMENTS 3-MISCELLANEOUS 4-PEETS 5-INSTRUCTIONS 6-SERVICES OFFERED 7-BUSINESS OPPORTUNITIES 8-RENTAL 9-REAL ESTATE 10-AUTOMOTIVE

UNION COUNTY Union Leader • Springfield Leader Clark Eagle • Kenilworth Leader Mountaineer Echo • Roselle Spectator Hillsdale Leader • Roselle Park Leader Linden Leader • Rahway Progress Summit Observer • Elizabeth Gazette

CLASSIFIED RATES 20 words or less... \$14.00 per insertion Additional 10 words or less... \$4.00 per insertion

BEST BUY CLASSIFIED COMBINATION RATES Ad appears in all 22 newspapers 20 words or less... \$22.00 per insertion

DEADLINES Business Directory 4 p.m. Thursday Display - Space reservation 5 p.m. Friday Ad copy 12 Noon Monday

CLASSIFIED ADVERTISING DEPARTMENT HOURS Monday through Friday 9:00 A.M. - 5:00 P.M. Additional Phone Hours Monday 8 a.m. - 6 p.m. Tuesday 8 a.m. - 5 p.m.

CALL (201) 763-9411 CLASSIFIED POLICIES All classified advertising is payable in advance.

Advertisement for Connections magazine: Respond to a Connections ad by calling: 1-900-786-2400

WORRALL Classified 1-800-564-8911

INDEX 1-HELP WANTED 2-ANNOUNCEMENTS 3-MISCELLANEOUS 4-PEETS 5-INSTRUCTIONS 6-SERVICES OFFERED 7-BUSINESS OPPORTUNITIES 8-RENTAL 9-REAL ESTATE 10-AUTOMOTIVE

UNION COUNTY Union Leader • Springfield Leader Clark Eagle • Kenilworth Leader Mountaineer Echo • Roselle Spectator Hillsdale Leader • Roselle Park Leader Linden Leader • Rahway Progress Summit Observer • Elizabeth Gazette

CLASSIFIED RATES 20 words or less... \$14.00 per insertion Additional 10 words or less... \$4.00 per insertion

BEST BUY CLASSIFIED COMBINATION RATES Ad appears in all 22 newspapers 20 words or less... \$22.00 per insertion

DEADLINES Business Directory 4 p.m. Thursday Display - Space reservation 5 p.m. Friday Ad copy 12 Noon Monday

CLASSIFIED ADVERTISING DEPARTMENT HOURS Monday through Friday 9:00 A.M. - 5:00 P.M. Additional Phone Hours Monday 8 a.m. - 6 p.m. Tuesday 8 a.m. - 5 p.m.

CALL (201) 763-9411 CLASSIFIED POLICIES All classified advertising is payable in advance.

Advertisement for Connections magazine: Respond to a Connections ad by calling: 1-900-786-2400

UNION COUNTY CLASSIFIED — THURSDAY, SEPTEMBER 7, 1995 — 111

HELP WANTED FRENLYL TOYS and gifts has openings for demonstrators in your area...

HELP WANTED FRENLYL TOYS and gifts has openings for demonstrators in your area...

PERSONALS ADOPTION: A loving professional couple wishes to adopt an infant...

A TRUE PSYCHIC MRS. RHONDA I give all types of readings and advice...

TELEPHONE CALLERS Part time receptionist for the available...

WHEN REPLYING TO UNION-COUNTY CLASSIFIED BOX NUMBER please address envelope to: Worrall Newspapers P.O. Box 78

FLEA MARKET VENDORS wanted Saturday, September 17th...

The PERFECT GIFT Antique Photographs Copied Restored Canon Studio 201-763-0861



# Real Estate

### RENTAL

All real estate advertised herein is subject to the Federal Fair Housing Act, which makes it illegal to discriminate on race, color, religion, sex, handicap, familial status, or national origin, or to discriminate on the basis of sex in housing. We will not knowingly accept any advertisement for real estate which is in violation of the law. All persons are hereby notified that all dwellings advertised are available on an equal opportunity basis.

#### ELDERLY PERSON BOARDING

SOUTH ORANGE, senior home. Great location for transportation and shopping. Rent \$800 month. Breakfast \$25 additional. Call July 701-763-6171.

#### SPACE FOR RENT

SPRINGFIELD, 1000 sq. ft. space. All utilities. Phone 908-876-2222. Office: 201-762-2222.

#### FURNISHED ROOM WANTED

MARRIED PROFESSIONAL, seeking furnished room in Long Branch working 9:00 a.m. to 5:00 p.m. Seeking room close to work and 3 nights per week beginning in September. Please call 908-684-2244.

#### HOUSE TO RENT

SPRINGFIELD, 4 bedrooms, 2 bath. Cape Cod style. Hardwood floors. Call 908-876-2222.

#### APARTMENT TO RENT

EAST ORANGE - 2 large rooms, yard, new kitchen, 1 month security, \$500. Call 714-816-7384.

#### HOUSE TO SHARE

MAPLEWOOD - house, near golf course. Large bedroom, pool, near transportation. Call 201-761-4443.

#### OFFICE TO LET

SOUTH ORANGE - furnished office for rent. Monthly rent \$2,500. Call 908-876-2222.

#### COMMERCIAL PROPERTY

SPRINGFIELD - 1000 sq. ft. space. All utilities. Phone 908-876-2222.

#### CONDOMINIUM

SPRINGFIELD - 1000 sq. ft. space. All utilities. Phone 908-876-2222.

#### RENTAL

SPRINGFIELD - 1000 sq. ft. space. All utilities. Phone 908-876-2222.

### NEW JERSEY MORTGAGE RATES

Lender, City, Phone	APP FEE	30 YR FIXED RATE	15 YR FIXED RATE	OTHER
American Fed Mtg. Bound Brook 800-787-2961	100	7.25	6.75	7.25
American Savings Bk. Bloomfield 201-744-3800	350	7.63	7.13	8.70
Bankers Savings, Perth Amboy 800-442-4100	350	7.75	7.25	8.05
Capital Funding, Parsippany 800-582-6700	0	8.00	7.50	8.62
Columbia Savings Bk. SLA. Linden 800-682-6888	285	7.50	7.00	8.08
Continental Mortgage Services 800-228-4450	285	7.50	7.00	8.08
First DeWitt Bank, West Caldwell 800-537-0076	425	8.00	7.75	8.13
First Fidelity Bank 800-438-7332	375	8.00	7.75	8.13
First Savings Bank SLA, Edison 800-228-4450	350	7.50	7.00	8.08
Genesis Mtg Svcs., E. Brunswick 800-257-5700	375	7.50	7.00	8.08
Gentry Mortgage, Inc. 800-287-8634	350	7.75	7.25	8.13
Key Mortgage Corp. 800-488-3300	300	7.25	6.75	7.50
Lenew Financial Services 800-333-8808	150	7.25	6.75	7.50
Lighthouse Savings Bank SLA, Union 800-537-0076	350	7.50	7.00	8.08
Memor Mortgage 201-244-8008	150	7.25	6.75	7.50
Mutual Bank, N.A. 800-274-0703	380	7.50	7.00	8.08
Morgan Carlson Fin., Ridgewood 800-582-8711	0	7.25	6.75	7.50
Natwest Home Mortgage 800-448-6769	375	7.50	7.00	8.08
New Century Mtg., E. Brunswick 800-330-4600	370	7.50	7.00	8.08
Premier Mortgage, Union 800-687-2900	375	8.00	7.75	8.13
Provident Savings Bank 800-448-7248	350	7.50	7.00	8.08
Pulse Savings Bank, South River 800-257-2400	350	7.75	7.25	8.13
Raise Savings Institution 800-388-1800	325	8.25	8.00	8.25
Source One Mtg. Svcs., Cnfrd. 800-878-4827	300	7.75	7.25	8.13
United Jersey Bk., Rutherford 800-822-6811	325	7.75	7.25	8.13
Valley National Bank, Wayne 800-522-4100	450	8.25	8.00	8.25
West Essex Bank, FSB 201-578-7080	375	7.50	7.00	8.08
W.F.S. Mortgage, Warren 800-534-1804	0	7.88	7.38	8.13

## CALL CLASSIFIED

MONDAYS & TUESDAYS  
Phones Open At 8 A.M.  
And on MONDAYS stay open until 6 P.M.  
1-800-564-8911

## Weichert

Buy For \$782 Mo.  
Buy For \$592 Mo.  
Buy For \$1,131 Mo.  
Buy For \$277 Mo.  
Buy For \$129 Mo.  
Buy For \$90 Mo.

ALL OFFICES as well as Union Open Until 9 PM

Union Office 908-687-4800

## The Prudential

New Jersey Realty

INCREASED HOMESTOCKS

IF YOU QUEST THE BEST

WELL MAINTAINED

Prudential Referral Services, Inc.

2675 ROUTE 22 W., UNION 908-686-2800

# Automotive

## Regular checking of front-wheel drive parts may prevent damage

One of the major reasons why most of today's new cars feature front-wheel drive (FWD) is because cars are smaller and lighter.

While smaller, lighter FWD vehicles save gasoline, the cost of repairing FWD vehicles is often much higher than for older vehicles with rear-wheel-drive.

The reason is that FWD parts are more complex and costly and are packed into smaller-sized vehicles. It takes more labor to remove and replace a part. These factors create tremendous sticker shock for the average car owner when repairs are needed.

According to the service experts at Moog Automotive, Inc. in St. Louis, Missouri, one of the nation's largest makers of FWD suspension replacement parts, periodic inspection of parts underneath the front of your car could prevent unnecessary damage and hundreds of dollars in repair bills.

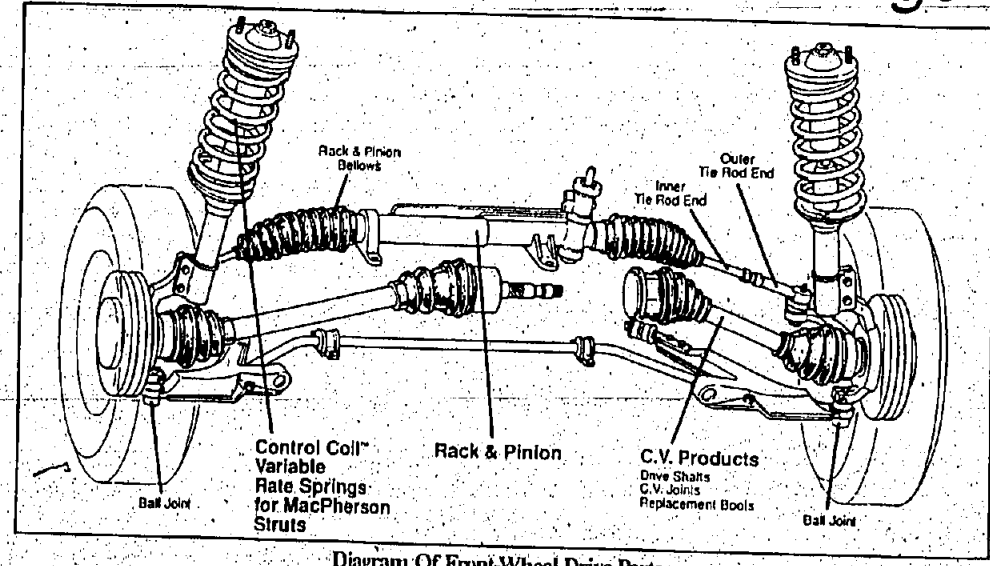
A good example of preventive maintenance involves a part that delivers power from the transmission to the front wheels. It's called a constant velocity (CV) joint. It allows power to be transmitted to the front wheels smoothly as the wheels are steered into a turn or move up and down to follow the road surface.

Inside the CV joint are bearings and component parts, which are built to precise tolerances and lubricated with a special grease. These parts are protected by a plastic or rubber cover that looks like the plastic in an accordion. The cover is called a CV boot.

To locate the CV joint and boot, look under the front of your car. Between the engine and each wheel is a shaft with a bellows-like boot on each end. Inside the CV boot is critical in making sure that contaminants such as water, dirt, grit and all don't get into the bearings. If that happens, the joint could be damaged in just a few hours of driving. The boot itself is inexpensive, but replacing a CV joint can cost hundreds of dollars.

The bottom line on preventing premature wear or damage to expensive CV joints is to make sure the boot isn't torn or leaking. If you notice a tear or leak, take care of it immediately. It costs far less than replacing all or part of a CV joint, so have the boot inspected every time your car takes in for service.

If the CV joint becomes worn or damaged, it has to be replaced. According to service experts at Moog, four sure signs of problems are:



## GM features Vortec engines

Want to have your cake and eat it, too? GM truck buyers will get just that, thanks to significant upgrades to the 1996 family of Vortec engines.

Customers told GM they wanted more from their trucks — more power, more car-like feel, more miles without service and better fuel economy. That provided Powertrain engineers with a pretty sizable list of things to work on for 1996. But where to begin? Instead of wasting time guessing what they could and couldn't do, engineers decided, "Let's do it all."

Volker Harhaus, GM Powertrain Group's chief engineer for truck engine controls, set a clear goal for the 1996 model year. "We agree to contribute our improvement in four areas — performance, playability, enhanced maintenance and emissions compliance. That's what our customers told us they wanted. The challenge was to deliver it all across — not in one or two at the expense of others."

GM's 5.0L, 5.7L and 7.4L engines each boast higher horsepower and torque numbers for 1996, while at the same time providing a quieter, smoother ride, complying with new stricter emissions requirements and going longer and further without servicing needs — and all on less fuel.

The secret to much of these success was the use of sequential control port injection on GM's 5.0L/5.7L engines and sequential port injection on the 7.4L. This helped engineers make dramatic leaps in the areas of power and fuel economy. Other big gains came as the result of changes to the intake and exhaust systems.

## Many cooling systems require the care of a NARSA specialist

What's the best advice for a customer with an automotive cooling system problem? See a specialist.

Since this suggestion comes from the National Automotive Radiator Service Technical Committee, "Unfortunately, the cooling system is frequently allowed to deteriorate until it fails, often leaving the motorist stuck in the road."

"The use of new, lightweight materials in auto construction, proliferation of automotive electronics, and the interrelated use of underhood systems combine to offer a formidable challenge when it comes to proper diagnosis by a trained technician."

"That is why our Association's emphasis is on getting information and training to the industry's technicians."

A cooling system operating at optimum efficiency is crucial with the smaller, higher-revving, horse-racing engines in today's cars.

"Motorists could reduce repair costs by taking some relatively simple and inexpensive preventive measures, like maintaining the proper fill of fresh coolant and replacing worn hoses and belts," notes Simon Oulohoulian, chairman of NARSA's Technical Committee. "Unfortunately, the cooling system is frequently allowed to deteriorate until it fails, often leaving the motorist stuck in the road."

"When the system does fail, people often begin shopping for a new radiator, and that can be a mistake," according to Bob Deuser, NARSA national chairman. "Proper diagnosis by a trained technician may reveal a malfunctioning water pump or thermostat, a problem with the control system, a pinhole leak, belt slippage or a variety of other conditions that can produce overheating. Many such problems can be corrected without buying a new radiator."

Even when radiator failure is the problem, a cooling system specialist can offer the consumer some options. Duquet automobiles.

## THE WHOLE 9 YARDS!

### YOU GET IT ALL AT MULTI!

Rte 22's #1 Commercial Truck Stop

Savings • Selection • Service

BUY \$6999: '95 Geo Metro

BUY \$18,888: '95 Chevy Conversion Van

BUY \$16,666: '95 Lumina Minivan

BUY \$10,999: '95 Geo Tracker Convertible

BUY \$21,995: '94 Chevy Dump Truck

BUY \$16,199: '95 Astro Cargo Van

BUY \$21,995: '92 Chevy

BUY \$12,995: '91 Ford E-250 Ext. Cargo Van

BUY \$14,995: '91 Plymouth Road Wagon

BUY \$12,995: '92 Chevy Lumina APV

BUY \$14,895: '91 Chevy S-10 Blazer

BUY \$15,495: '92 Ford Explorer XLT

More than 100 QUALITY-TESTED USED CARS TO CHOOSE FROM...

One Of Tri-state's Largest-Volume Discount Chevy/Geo Dealers!

# Multi

CHEVROLET-Geo

2675 ROUTE 22 W., UNION 908-686-2800

4 CANS CAN GET YOU 4 WHEELS!

See Multi and enter to win a '95 Geo Metro with your donation of four or more cans of food to the Community FoodBank of New Jersey!

# Automotive



## AUTOMOTIVE

**AUTO DEALERS**  
**SMYTHE VOLVO**  
**EXCLUSIVE**  
**VOLVO DEALER**  
 330 Morris Avenue Summit  
**(908) 273-4200**  
**AUTHORIZED**  
**FACTORY SERVICE**  
**LONG TERM LEASING**

### AUTO FOR SALE

**AUTO SPECIAL** - 22.95 for 15 weeks prepaid. Call Classified for details. 800-564-8611.

1989 BMW 320i 5-speed, excellent running, good body. \$2,500 or best offer. Call 201-978-3058.

1991 BMW 318i, silver-gray, 5 speed, garage-kept, non-smoker, BMW loaded, top sunroof, Mobil Absolute tires. 201-275-5220. Fax: 201-275-5221. \$15,500.

1991 HONDA CIVIC EXCEL. Excellent condition, all power, AM/FM cassette. Asking \$1,500 or best offer. Call 908-262-7568.

1988 CADILLAC SEVILLE ROADSTER. 80,000 miles, new reconditioning, brakes, water pump, radiator. Excellent condition. \$2,700. Call 908-251-7802.

1976 CADILLAC ELDOADO BIAWITT. 64,000 miles, new carpet and mats. Mechanical only found. Mechanical condition. \$3,000. Call 908-251-7802.

1991 CHEVY CAMARO. Convertible. Bligh 195. All power. 2.38 engine, wheels, etc. \$15,000. 908-241-8844.

1993 CHEVY CORVETTE. Silver-gray. Convertible. 2000 miles. Excellent condition. \$20,000. No offers. 908-688-8020.

1985 CHEVY MONTE Carlo. V-6, blue, power windows, air conditioning. 81,000 miles. Very clean, runs good. \$2,100. Negotiable. 908-688-8020.

### AUTO FOR SALE

1994 DODGE CARB 4 door automatic, power steering, air conditioning, AM/FM radio, runs well. More new parts. Asking \$850. Call 908-822-7512.

DREAM M CHINES - look for our "Reserved Parking" ad or call Classified at 800-564-8611.

1984 FORD BRONCO II - Eddie Bauer edition, 4x4, low loaded, excellent condition, new tires. \$4,000 or best offer. Call 201-751-1345.

1991 FORD EXPLORER Eddie Bauer. Black. Fully loaded. 4x4. Sunroof, running boards. 58K miles, excellent condition. \$14,500. Call 201-988-5477.

1991 FORD ES30 16 PASSENGER CLUB VAC 18 engine. Excellent condition. 70,000 miles. \$12,500 or best offer. Also 201-973-3342.

1988 FORD THUNDERBOLT. Blue. 60,000 original miles, all power, all electric. \$3,000 or best offer. Call 908-278-9727. Also 908-278-9727.

1977 FORD T-BIRD. Landau, automatic, V6, 351 Cleveland engine, all conditioning, power windows, brakes, mirrors, door locks, leather seats. Matching oversized bucket seats, AM/FM. 194,000 miles. Excellent condition. \$14,500. Call 201-988-5477.

1991 HONDA CIVIC EXCEL. Excellent condition, 2-door hatchback, 5-speed AM/FM cassette. 32,000 miles. \$5,000 or best offer. Call 201-338-0622.

1988 LINCOLN. White. 4-door convertible. Good condition, only 36,000 original miles. \$1,900. Also 908-251-7802.

1978 LINCOLN MARK. White, new roof, new interior, 4 speed, good condition. 100,100 miles. \$1,900. Also 908-251-7802.

1987 MAZDA 626. 5-speed, air conditioning, power, sunroof, new clutch and tires. Excellent condition. 114,000 miles. \$2,500. Call 201-992-8958.

1991 MAZDA RX7. Black, automatic, 55,000 miles. Excellent condition. Power windows, stereo cassette, alarm. Asking \$12,100. 908-984-7788. Fax: 908-984-7788.

1991 MAZDA 323. 2-door hatchback. 4x4. Power brakes, steering, air conditioning, sunroof, new tires. Excellent condition. \$2,500. Negotiable. 908-688-8020.

### AUTO FOR SALE

1985 MERCURY COUGAR. 2 door, blue, fully loaded, sunroof, stereo cassette, 81,000 miles. Good condition. \$2,300. Call 908-687-6572.

1987 MAZDA ANTIQUE. White, excellent condition, fully restored, air conditioning, sunroof. \$15,500. Call 908-245-6558. After 6pm. 908-245-6558.

1992 MITSUBISHI DIAMANTE. Top of the line, 4x4, new tires, sunroof, air conditioning, power windows, stereo. Excellent condition. 101K. \$17,500. 908-266-1884.

YOUR AD could appear here for as little as \$14.00 per week! Call for more details. Our friendly classified department would be happy to help you. Call 1-800-564-8611.

1988 NISSAN 300ZX. All power, 80,000 original miles. Leather seats, custom spoiler, body kit. Best offer. Must see immediately. 908-241-9248.

1993 NISSAN MAXIMA. Black, sport package, excellent condition, garage kept, 4 speed, manual transmission, AM/FM cassette. \$15,500. Call 908-252-7277.

1981 OLDSMOBILE CUTLASS Supreme. 154,000 miles, good condition, very nice car, new tires, power steering, power windows. \$750. Call 201-544-4473.

1983 OLDSMOBILE 98 LIMOUSINE. 65,000 miles. Every possible option including V8, moonroof, leather car. Never used commercial. \$2,950. Call 201-353-1001.

1982 OLDSMOBILE DELTA 88. 4 speed. One owner, garage kept, excellent condition. 100,000 miles. \$2,500 or best offer. Call 908-687-7302.

1988 PONTIAC GRAND PRIX. All power, air conditioning, AM/FM stereo cassette, excellent condition, low mileage. New tires. Asking \$5,500. 201-547-5400.

1982 PONTIAC PHOENIX 4 door. 4 cylinder automatic. \$3500 best offer. See Tom's Gulf. Major Annual Costing 148 Book. Union.

1991 SAAB 900 TURBO. Loaded. Stereo, moon roof, cassette, automatic, midnight blue. 53,000 miles. (moved to N.Y.C.). 908-233-2931.

SEVERAL CARS from \$175. Porsche, Cadillac, Chevy, BMW, Corvair, etc. See Tom's Gulf. Major Annual Costing 148 Book. Union.

1985 TOYOTA SUPRA. Automatic, air conditioning, sunroof, 4x4 stereo cassette, sunroof, moon roof, new tires, bucket seats. 82,000 miles. \$4,500. 201-752-1007.

1988 TOYOTA TERCEL. Automatic, 2 door, blue, stereo, air conditioning, AM/FM radio. \$2,500. 201-752-1007.

1988 TOYOTA CAMRY. Power steering, brakes, air conditioning, stereo cassette, etc. Excellent condition. 100,000 miles. \$1,200 best offer. Only 201-752-1007.

1988 TOYOTA CAMRY. Silver, air conditioning, AM/FM cassette, new tires. 100,000 miles. \$1,200 best offer. Everything works. \$2K. 1800, 201-752-1007.

### AUTO FOR SALE

1986 VOLKSWAGEN JETTA GLE. 100,000 miles, stereo cassette, alloy tires, chrome gray. \$2,000. 201-752-1007.

1991 VOLKSWAGEN JETTA. 100,000 miles, automatic, black, sun roof, leather interior, air conditioning. \$7,500. Call 201-982-8775.

1980 VOLKSWAGEN CHEROKEE convertible. Automatic, air conditioning, new tires, moon roof, excellent condition. 70K miles. Asking \$13,500. 908-245-6558.

1987 VOLKSWAGEN FOX. 5 speed. Air conditioning, leather seats, sunroof, alloy wheels. \$1,500 or best offer. Call 201-982-8775.

1980 VOLVO 740 GLE. 100,000 miles, leather seats, alloy wheels, alloy wheels. \$1,500. 201-982-8775.

1982 VOLVO 740 GLE. 100,000 miles, leather seats, alloy wheels, alloy wheels. \$1,500. 201-982-8775.

## REBUILT TRANSMISSION

249

6 Month Unlimited Mileage  
**TRANSMISSIONS**  
**FIX UP ONLY**  
**\$995**  
**STARTS**

ALL SERVICES WITH 90 DAY WARRANTY

We Also Do:  
 • Power Steering  
 • CV Axles  
 • CV Joints  
 • Brake Pads

**AMBER**  
**TRANSMISSIONS**  
 2410 N.E. 160TH  
 LINDEN, NJ  
**(908) 466-7738**

## USED CARS

No one can offer better value in used cars than your local new car dealer who has the facilities, certified technicians, and equipment to provide competent reconditioning and warranty service.

FOR \$100 PER WEEK YOU CAN DRIVE UP AUTO SALES CALL BILL CURTIS AT 908-686-7700

## DOUGLAS PRE-OWNED CLEARANCE

'94 BUICK REGAL GS  
 V6 - Auto, P/B, A/C Cond, Full power, etc. Excellent. Best. with leather. Alloy. Runs. Like New. Call 908-686-7700. VIN#1421894. Sale Price \$17,495.

'91 MERCURY SABLE SDN  
 V6, Auto, Air Cond, P/B, Full power. Very nice. Local Trade in. Only 28,881 miles. VIN#MA231086. Sale Price \$7,995.

'93 FORD TAURUS GL SDN  
 V6, AUTO, AIR COND, P/B, Full Power Equipment. Blue. White. In. Only 22,747 miles. VIN#P2P244. Sale Price \$12,495 - 3 offers to choose from.

'93 CHRV. LUMINA EUROSPORT  
 V6, Auto, Air Cond, P/B, Full Power. Local Trade in. Only 28,881 miles. VIN# P9176303. Sale Price \$11,995.

'93 TAURUS GL SDN  
 V6, Auto, Air Cond, P/B, Full Power. In. Local Trade in. Only 32,545 miles. VIN#P244801. Sale Price \$12,495.

'91 PLYMOUTH ACCLAIM SDN  
 V6, Auto, Air Cond, P/B, Full Power. Stereo. Local Trade in. Only 28,881 miles. VIN# M7710435. Sale Price \$7,995.

'92 VW JETTA CARAT  
 4 Cyl. Auto, Air Cond, P/B, Full Power. Local Trade in. Only 28,881 miles. VIN# N950594. Sale Price \$9,995.

'92 PARK AVE.  
 V6, Auto, Air Cond, P/B, Full Power. In. Local Trade in. Only 28,881 miles. VIN# N1851217. Sale Price \$13,995.

'90 LESABRE CUSTOM  
 V6, Auto, Air Cond, P/B, Full Power. In. Local Trade in. Only 28,881 miles. VIN# N1851217. Sale Price \$13,995.

'92 PASSET GL  
 4 Cyl. Auto, P/B, Full Power. Local Trade in. Only 28,881 miles. VIN# N2524408. Sale Price \$12,995.

Get it in gear with the Auto Special 10 weeks - 200 words only \$22.00 prepaid. One vehicle per ad. No abbreviations. No reprints. Private party vehicles only. Price of vehicle is only copy charge allowed. Just let down your ad and mail it in with your payment. Worrall Newspapers Classified Advertising Dept. P.O. Box 188 Maplewood, N.J. 07040

## FREE Information!

CALL 686-9898 and enter a four digit selection number below.

## SHOPPING FOR A CAR

- 1200 Fuel Efficiency
- 1201 How Much To Spend
- 1202 Insurance Tips
- 1203 Getting Started
- 1204 Sicker Prices
- 1205 Sales Agreement
- 1206 Ordering A New Car
- 1207 Rebates
- 1208 Warranties
- 1209 Financing
- 1210 Owner Satisfaction

Inforsource  
 A Public Service of WORRALL COMMUNITY NEWSPAPERS

**COME VISIT OUR CHEVROLET OPEN HOUSE!**

**SAVE AT BARNES CHEVROLET**

**SUPER SPECIAL DISCOUNTS FOR AARP MEMBERS\***

<b>SAVE \$1727</b> ON A NEW 1995 CHEVROLET METRO 2 DR. LSI \$9399	<b>SAVE \$1741</b> ON A NEW 1995 CHEVROLET CORSICA 4DR. SEAM \$12,954	<b>SAVE \$2288</b> ON A NEW 1995 CHEVROLET TRACKER 4X4 \$11,992	<b>SAVE \$2288</b> ON A NEW 1995 CHEVROLET LUMINA 7 PASS. LIMITED \$18,698
<b>SAVE \$2395</b> ON A NEW 1995 CHEVROLET CAMARO COUPE \$15,793	<b>SAVE \$928</b> ON A NEW 1995 CHEVROLET CAPRICE CLASSIC 4DR. \$20,267	<b>SAVE \$1222</b> ON A NEW 1995 CHEVROLET PRIZEM 4-DOOR \$13,297	<b>LEASE FOR LESS</b> ON A NEW 1995 CHEVROLET CORVETTE COUPE \$330 <sup>10</sup> PER MONTH

**SUPER SPECIAL DISCOUNTS FOR AAA MEMBERS\***

'94 BUICK REGAL LIMITED \$2195	'91 CHEVROLET CELEBRITY \$3055	'91 CHEVROLET CELEBRITY \$4795	'92 GEO PRIZEM \$4325	'91 CHEVROLET CORVETTE COUPE \$18,698	'91 BUICK SKYLARK \$12,995
'91 BUICK REGAL LIMITED \$2195	'91 CHEVROLET CELEBRITY \$3055	'91 CHEVROLET CELEBRITY \$4795	'92 GEO PRIZEM \$4325	'91 CHEVROLET ASTRO \$11,995	'91 CHEVROLET ASTRO \$11,995

**BARNES CHEVROLET**  
 38 RIVER ROAD, SUMMIT, NJ  
 (908) 273-7800